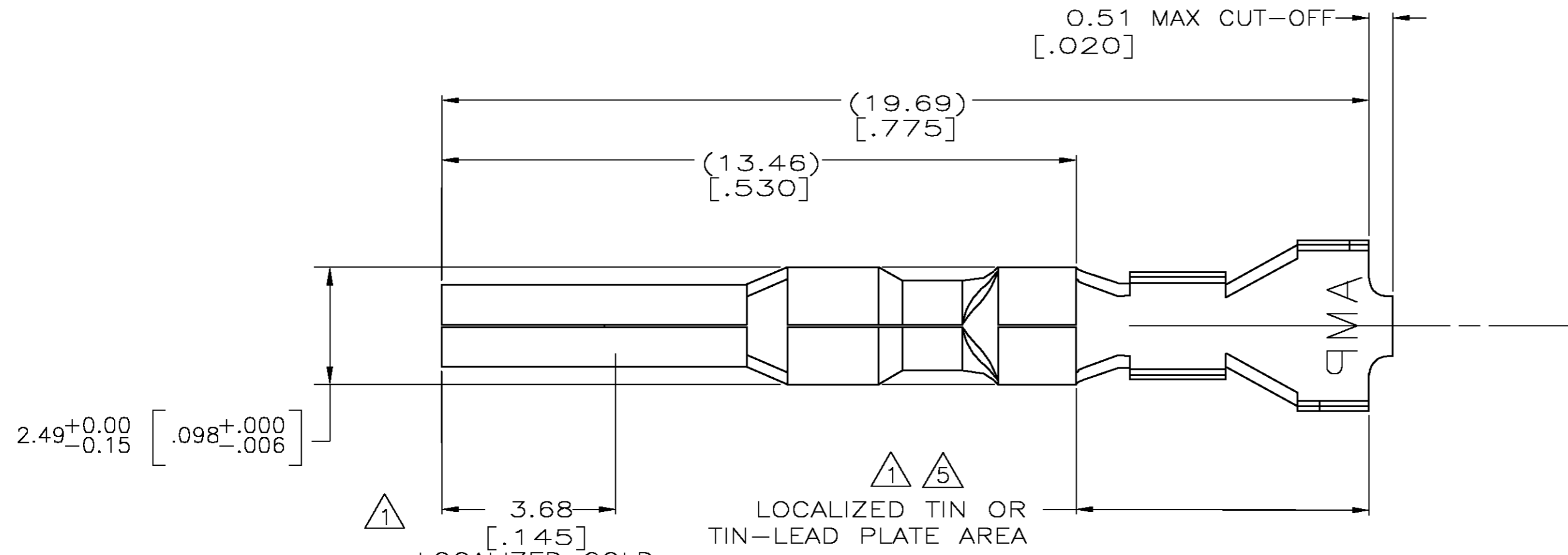
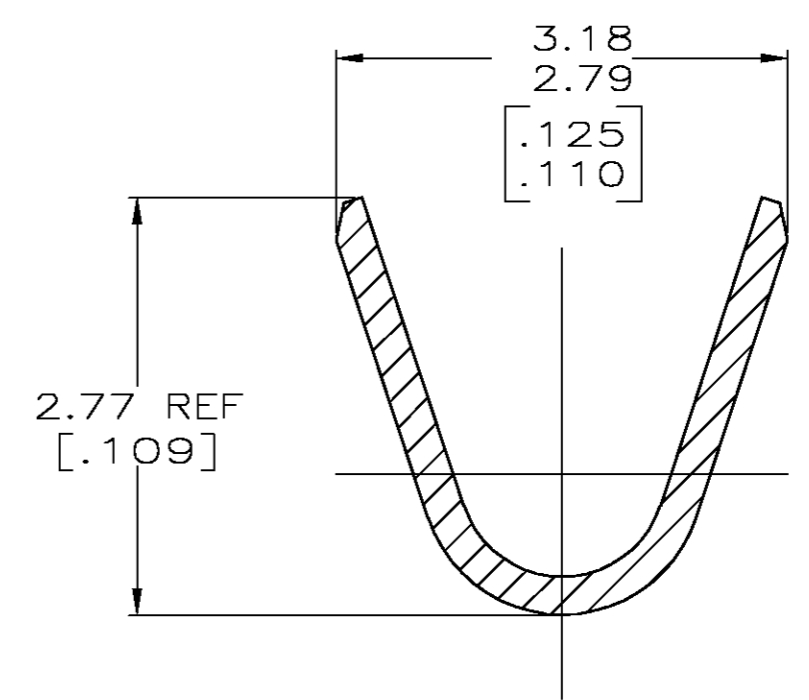
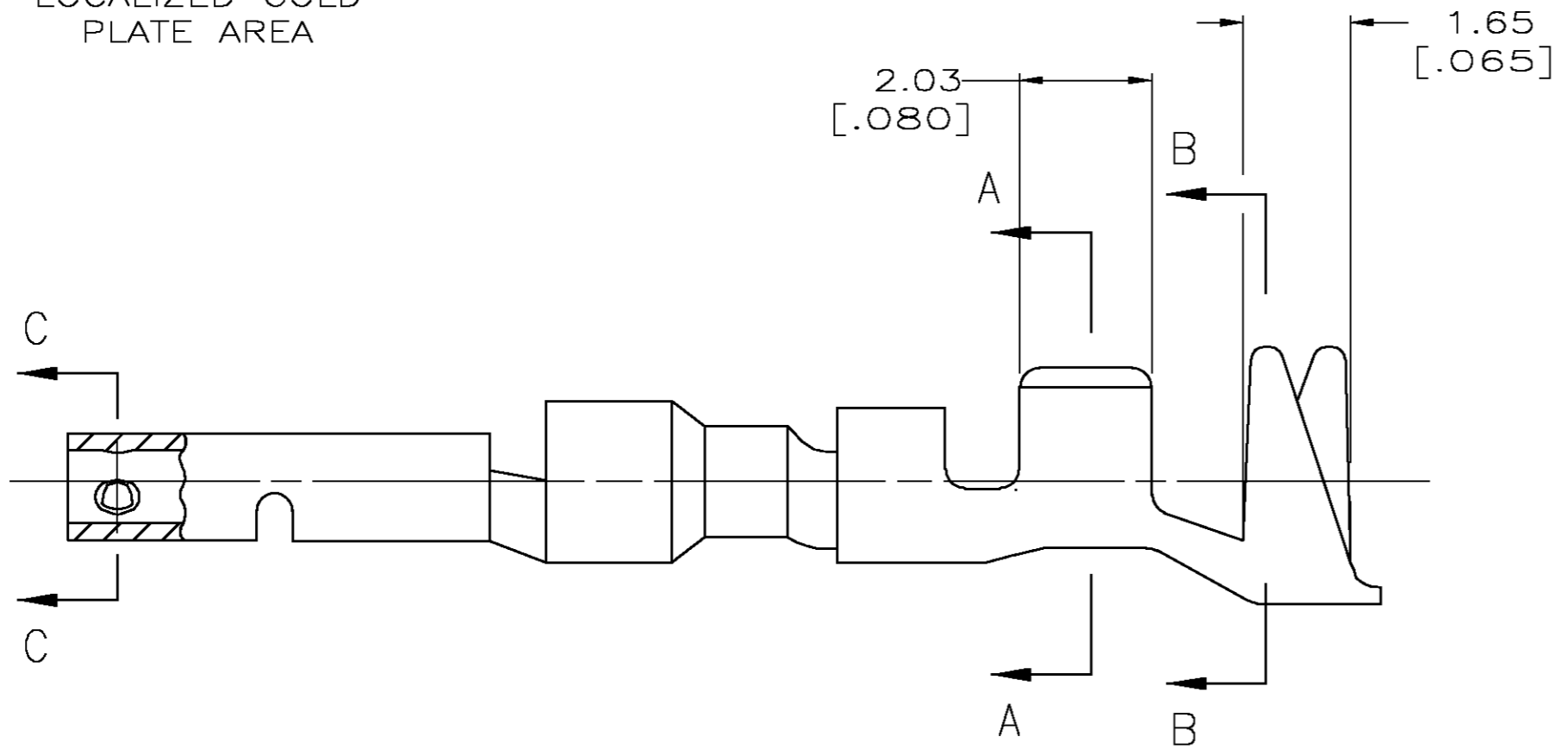


THIS DRAWING IS UNPUBLISHED. RELEASED FOR PUBLICATION
 © COPYRIGHT BY TYCO ELECTRONICS CORPORATION. ALL RIGHTS RESERVED.

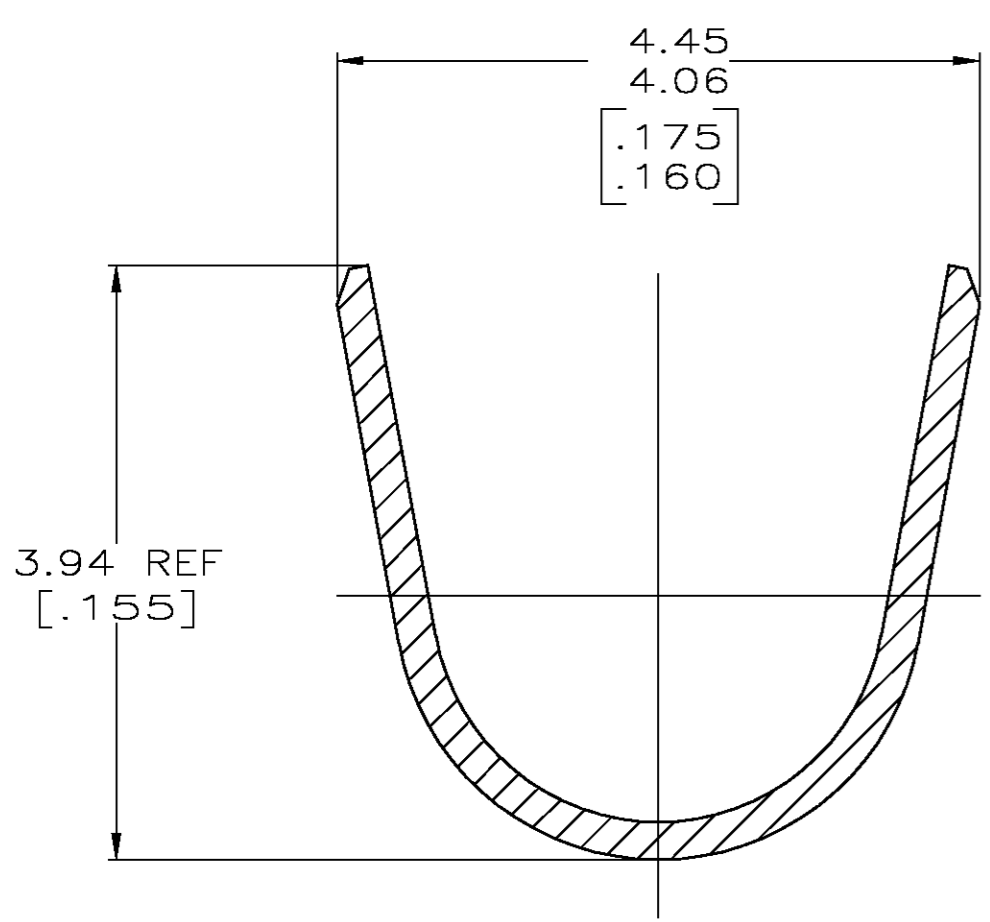
| LOC | DIST | REVISIONS | | | |
|-----|------|-------------|-----------------------------|---------|-------|
| P | LTR | DESCRIPTION | DATE | DWN | APVD |
| CM | 00 | D | REVISED PER EC 0G3B-0387-03 | 21MAY03 | SC CJ |



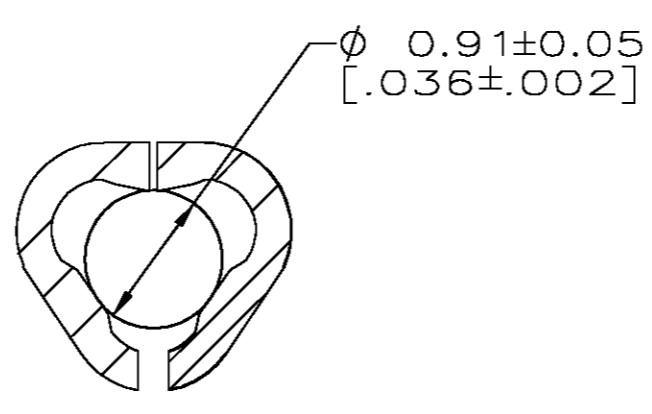
- 1. 0.00076[.000030] MIN. GOLD IN LOCALIZED GOLD PLATE AREA AND 0.00254-0.00635[.000100-.000250] BRIGHT TIN-LEAD IN LOCALIZED TIN-LEAD PLATE AREA OVER 0.00127[.000050] MIN. NICKEL.
- 2. WIRE RANGE: 0.5-1.4MM² (20-16 AWG).
- 3. INSULATION RANGE: 2.01-3.20[.079-.126] DIA.
- 4. DIMENSIONS IN BRACKETS ARE IN INCHES.
- 5. 0.00076[.000030] MIN. GOLD IN LOCALIZED GOLD PLATE AREA AND 0.00254-0.00635[.000100-.000250] BRIGHT TIN IN LOCALIZED TIN PLATE AREA OVER 0.00127[.000050] MIN. NICKEL.



SECTION A-A
SCALE 20:1



SECTION B-B
SCALE 20:1



SECTION C-C
SCALE 20:1

| | | |
|---------|------------------|------------|
| 5 | 0.25[.010] BRASS | 1-794231-0 |
| 1 | 0.25[.010] BRASS | 794231-3 |
| PRE-TIN | 0.25[.010] BRASS | 794231-1 |

| | | | | |
|--|--|----------------------------------|--|--|
| THIS DRAWING IS A CONTROLLED DOCUMENT. | | DWN S. CARPENTER 21MAY2003 | Tyco Electronics Corporation Harrisburg, PA 17105 | |
| DIMENSIONS: INCHES | | CHK C. JONES 21MAY2003 | Tyco Electronics Corporation | |
| TOLERANCES UNLESS OTHERWISE SPECIFIED: | | APVD C. JONES 21MAY2003 | NAME C. JONES | |
| 0 PLC ± - | | PRODUCT SPEC | | |
| 1 PLC ± - | | APPLICATION SPEC | | |
| 2 PLC ± - | | SIZE A2 | | |
| 3 PLC ± 0.15 [.006] | | CAGE CODE 00779 | | |
| 4 PLC ± - | | DRAWING NO C=794231 | | |
| ANGLES ± - | | RESTRICTED TO | | |
| FINISH SEE TABLE | | WEIGHT | | |
| MATERIAL SEE TABLE | | CUSTOMER DRAWING | | |
| | | SCALE 10:1 SHEET 1 OF 1 REV D | | |

794231